

영상 변류기

Zero Phase Sequence Current Transformer(ZCT)

환형 Round Type

30~200Φ (100~2000A)

각형 Bus-bar Through Type

166X30mm, 201X30mm, 260X30mm
(400~600A)



한국소방산업기술원 형식승인품

Model

DMZR-30~200(Round type)

DMZS-160~260(Square type)

DM : Manufacture Mark **Z** : Zero current transformer(ZCT)

R : Round type **S** : Square type **30** : Inside dia(ϕ)

누전경보기, 지락검출 계전기용 (200mA / 100mV)

주요특징

- ▶ 투자율이 좋은 규소강판을 사용하여 출력특성을 정밀화 하였습니다 .
- ▶ 부하의 종류 및 용량에 따라 다양한 구조로 되어있습니다
- ▶ ABS 난연성 및 PC난연성 수지로 자기 소화성이 있는 재질로 되어 있습니다.

주요사양

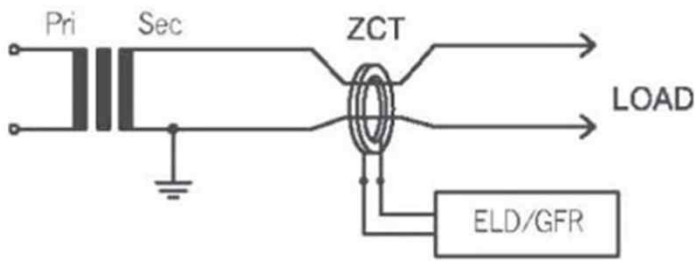
Item	Zero phase Current Transformer				
모델명	DMZR-030~50	DMZR-065~080	DMZR-100~150	DMZR-200	DMZS-160~260
Certificate No.	누변15-5	누변15-6	누변15-7	누변15-4	누변16-1
Rated	1`st 200mA, 2`nd100mV (connected by 2k Ω)				
ZCT Output condition	Condition : 200mA/100mV (connected by 2k Ω) 500mA/100mV (connected by 300 Ω) 1000mA/100mV (connected by 120 Ω)				
Error	Less than 75 ~ 120% (1`st current)				
Operating temperature	-10 ~ +60 $^{\circ}$ C				
Insulation resistance	2`th-Earth DC500V Megger 100M Ω more				
Dielectric withstand	2`th-Earth AC1,500V/1min				
Impulse withstand voltage	2`th-Earth 6kV(12/50 μ s) +,- 1times				

정격사양

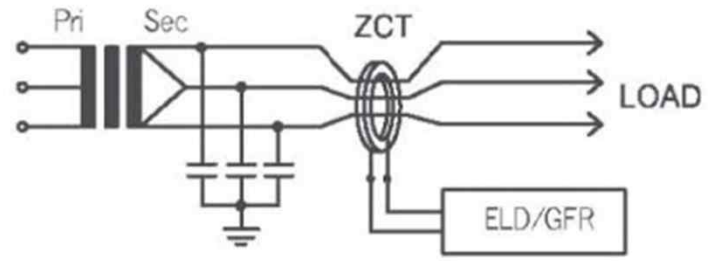
Item	MODEL		Rated Current(A)	Cable(EV)mm ²				Weight (kg)
	Type	Insidedia		1P2W	1P3W	3P3W	3P4W	
Cable through type	DMZR-30	ϕ 30	100	60	14		8	0.2
	DMZR-50	ϕ 50	250	150	80		38	0.35
	DMZR-65	ϕ 65	400	325	150		100	0.5
	DMZR-80	ϕ 80	600	400	250		200	0.6
	DMZR-100	ϕ 100	800	500	325		250	0.9
	DMZR-120	ϕ 120	1000	950	850		725	1.2
	DMZR-150	ϕ 150	1200	1200	1000		850	2
	DMZR-200	ϕ 200	2000	1500	1200		950	2.9
Busbar through type	DMZS-160	166x30mm	400	6t x 25mm	6t x 25mm		6t x 25mm	1.9
	DMZS-210	210x30mm	500	8t x 30mm	8t x 30mm		8t x 30mm	2.2
	DMZS-260	260x30mm	600	8t x 40mm	8t x 40mm		8t x 40mm	2.9

외부결선도

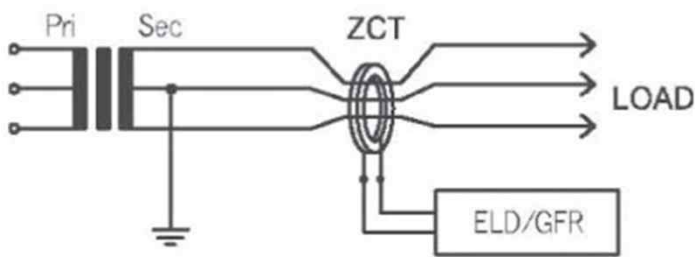
● 1P2W



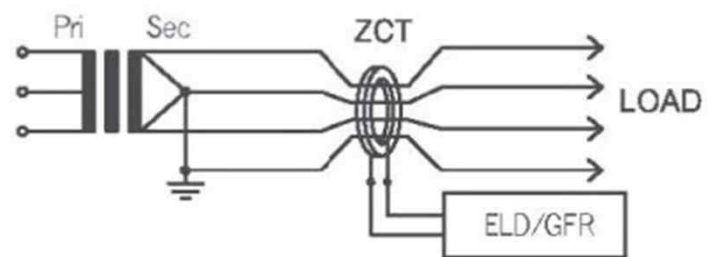
● 3P3W



● 1P3W

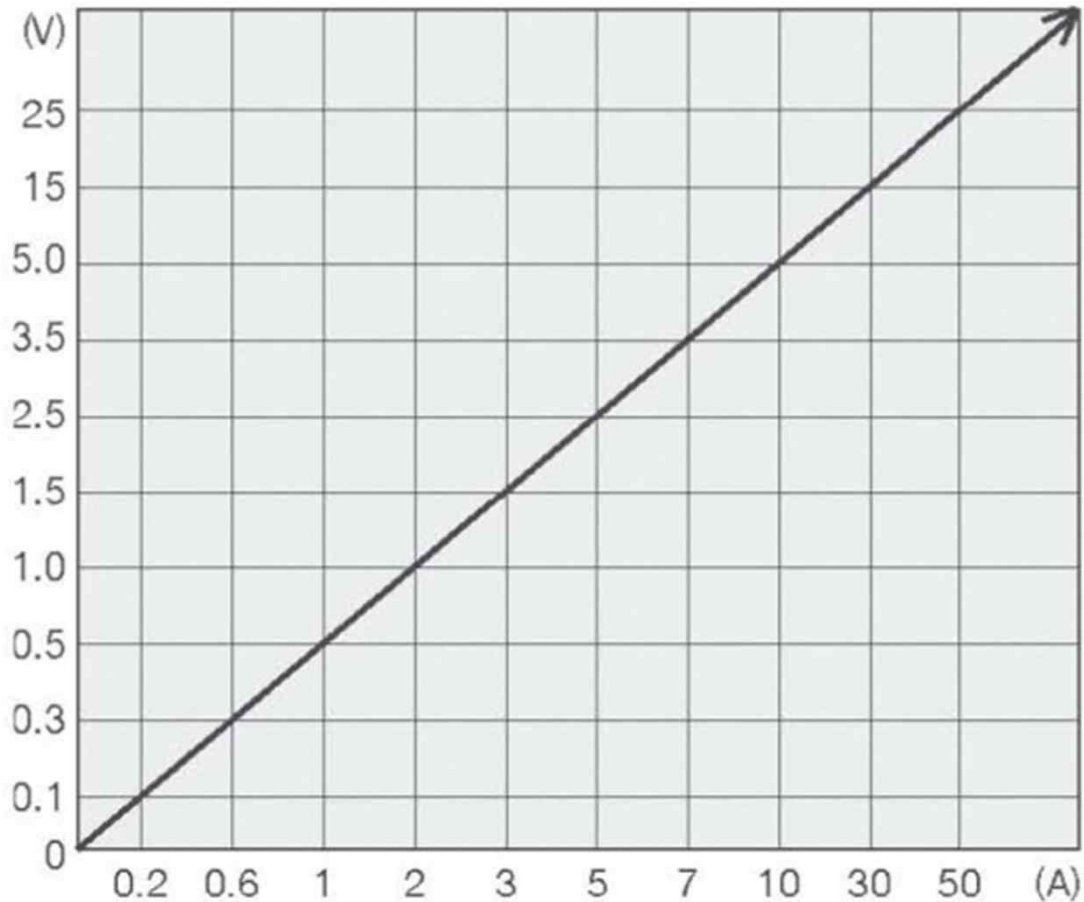


● 3P4W



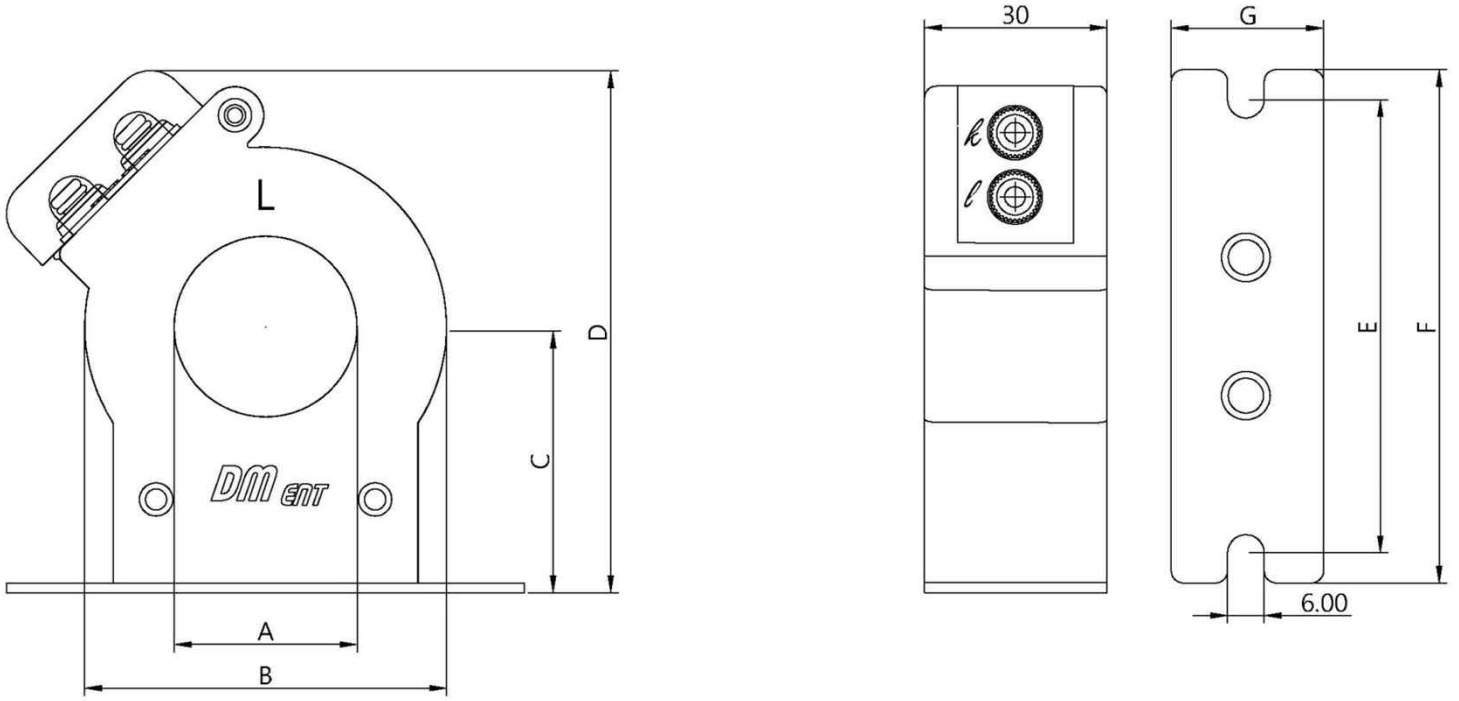
ZCT출력 특성 곡선

(200mA / 100mV)

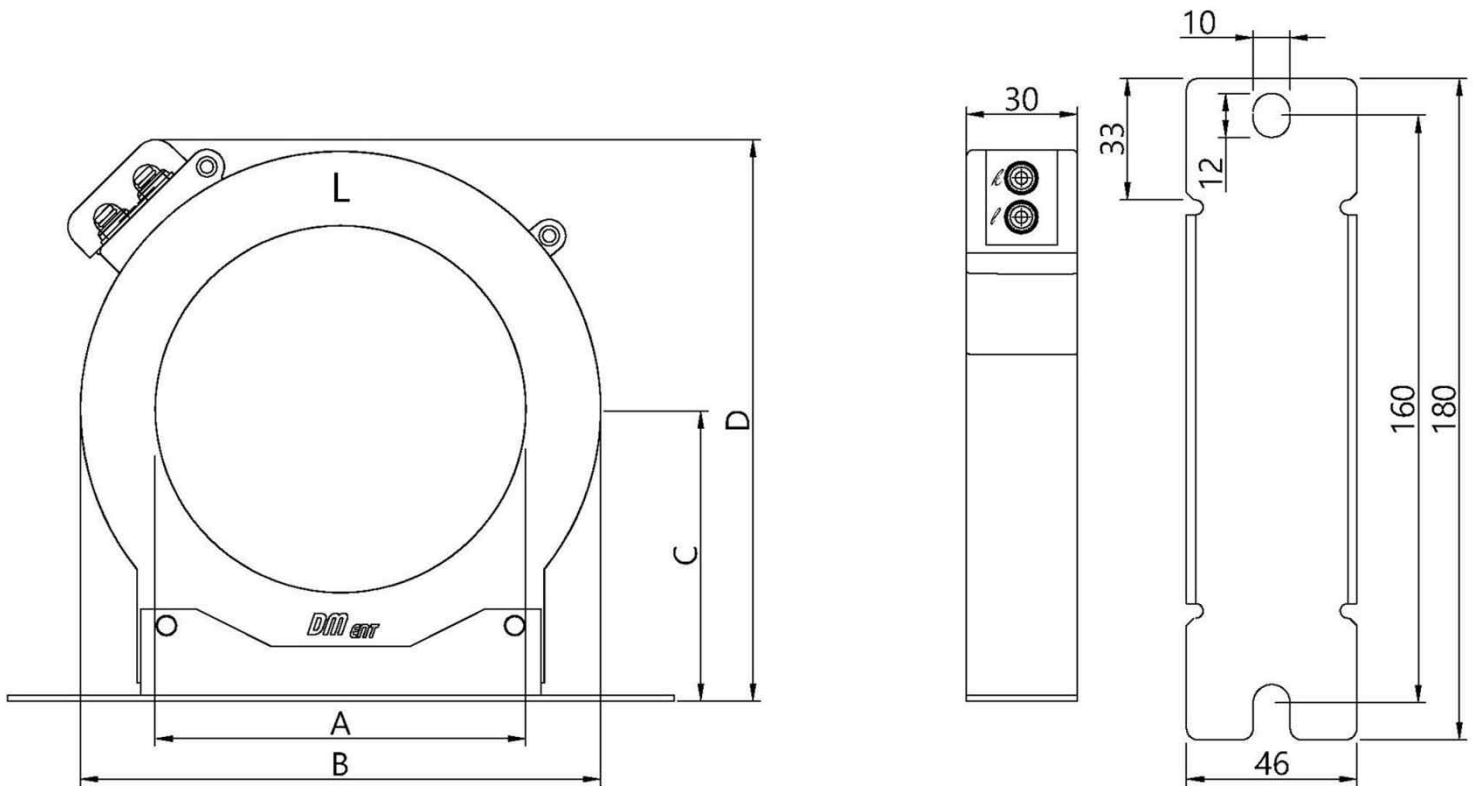


※ Condition : The output voltage measured in increased current by attaching the ZCT impedance(2k Ω) to secondary ZCT

Dimension (Round type)

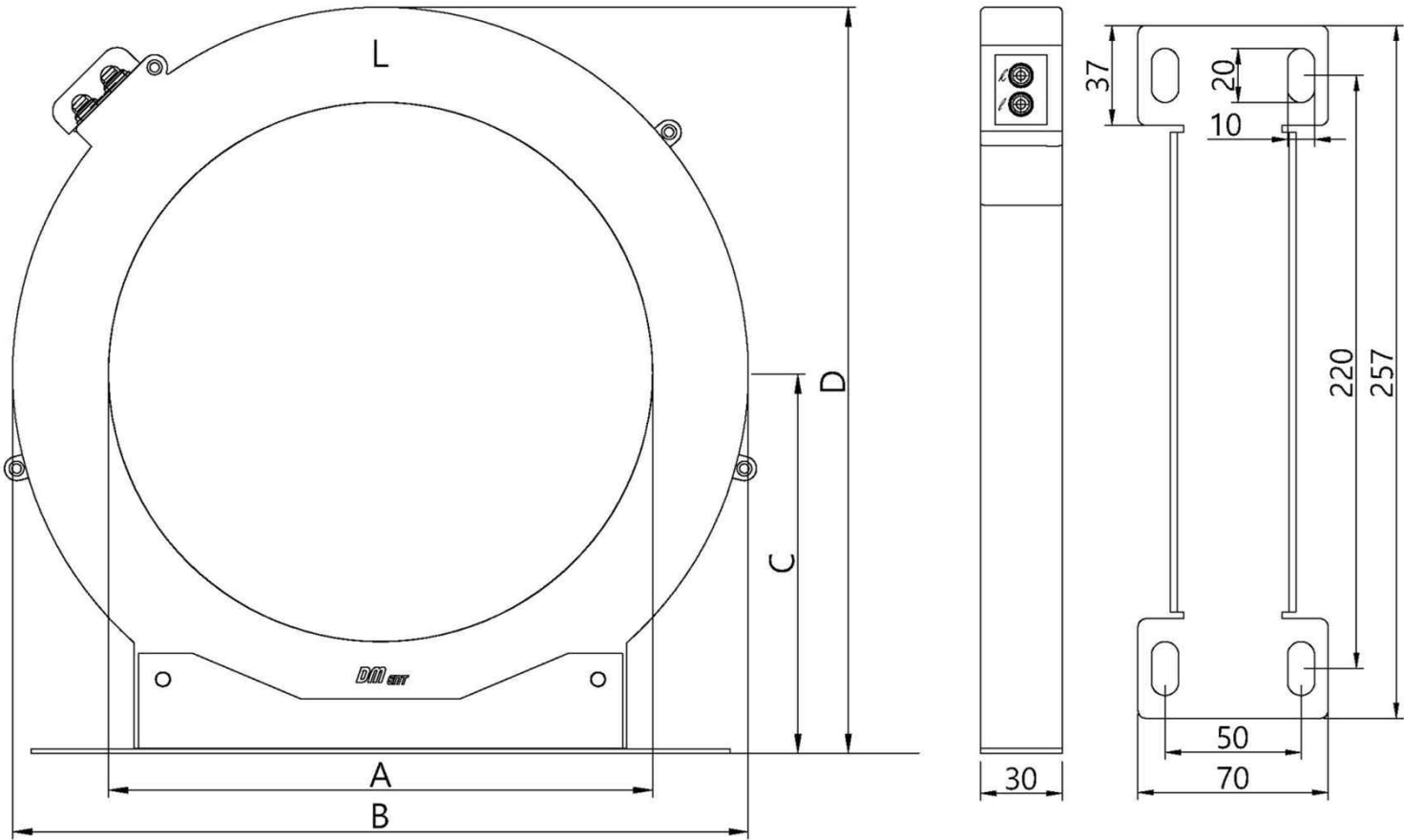


TYPE	A	B	C	D	E	F	G
DMZR-030	30	59	44	86	70	85	25
DMZR-050	50	84	53	105	100	110	30
DMZR-065	65	99	61	119	100	110	30
DMZR-080	80	120	66	132	120	132	38



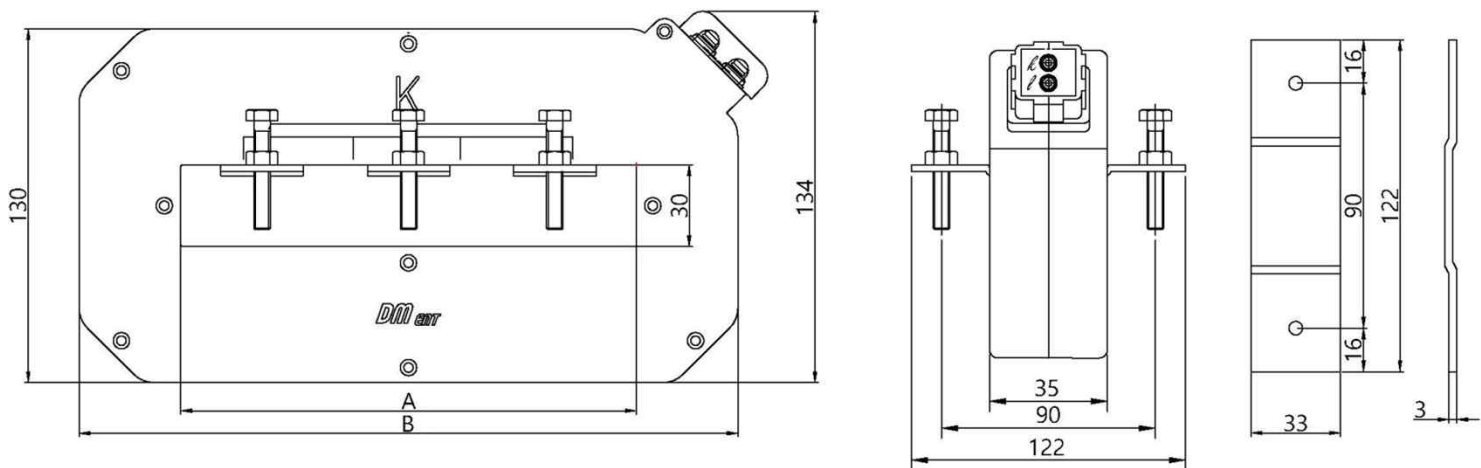
TYPE	A	B	C	D
DMZR-100	100	140	79	152
DMZR-120	120	168	93	177

Dimension (Round type)



TYPE	A	B	C	D
DMZR-150	150	212	111	210
DMZR-200	200	270	141	276

Dimension (Square type)



TYPE	A	B
DMZS-160	166	240
DMZS-210	210	290
DMZS-260	266	350